

NEO 2.5 INSERT

INSERT

FOR MEDIUM TO LARGE SPACES

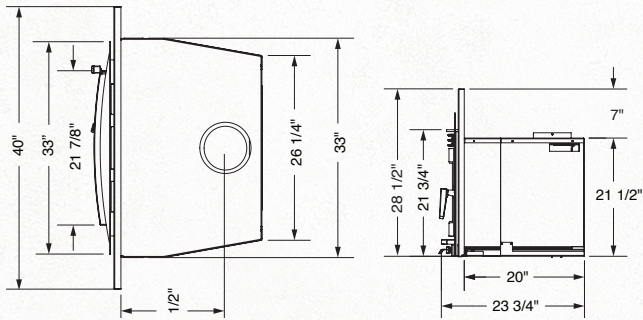
Heat Output Cord Wood

85,000 BTU

45,000 BTU EPA Test Fuel

| | |
|------------------|-------------|
| EFFICIENCY (LHV) | 80.3% |
| EMISSIONS | 2.85 GM/HR. |
| LOG SIZE (MAX) | 18 IN. |
| FIRBOX SIZE | 2.5 CU.FT. |
| GLASS SIZE | 166 SQ.IN. |
| WEIGHT | ~390 LBS. |

Transforms an energy-wasting fireplace into a cost-saving source of heat, without sacrificing the comfort and appeal of the home fire. Accommodating existing masonry fireplaces, the Neo 2.5 insert has Pacific Energy's trusted overbuilt steel construction, including a smooth opening cast iron door, boost air for easy lighting and a one-lever air control for simple operation and maximum burning efficiency. With all the features of the Neo 1.6 in a larger, higher-output format, the Neo 2.5 inserts deliver exceptional performance and durability.



For reference only. Installations should be based on installation manuals. Specifications subject to change.

STANDARD FEATURES

- Reliable, durable non-catalytic technology
- Air wash system for super clean ceramic glass
- High-tech multi-port combustion air injection system
- Inside and outside combustion air capable
- Floating firebox for extended stove life
- Rich Metallic Black finish
- 304 Stainless Steel Baffle, insulation cover, rails and flame shield
- Extended Burn Technology (EBT2)
- 2x80 cfm temperature-actuated variable-speed blower
- Single-Lever Air Control
- Removable Cast-Iron Flue Collar
- East-West loading
- Integrated Heat Exchanger

DESIGN OPTIONS

- Contemporary Surround in Metallic Black or Stainless Steel (40" x 28")
- Oversize Surround (48" x 32")



AVAILABLE SURROUNDS

